



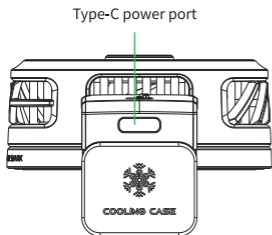
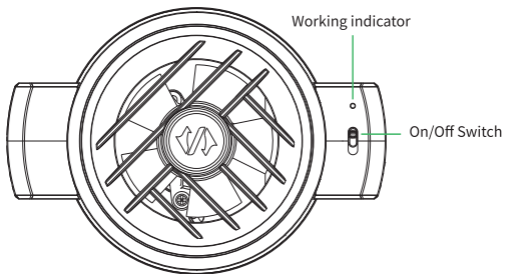
黑鲨冰封制冷背夹3 标准版

Black Shark FunCooler 3

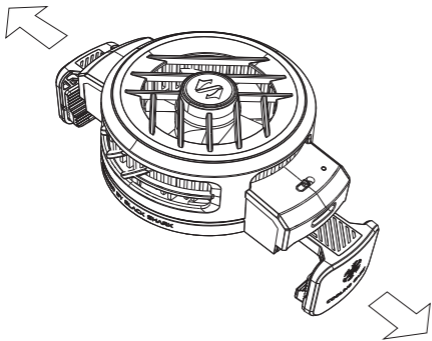
使用产品前请仔细阅读本说明书，并妥善保管。

Read this manual carefully before use, and retain it for future reference.

Device layout



How to use your cooler



1. Please remove the protective film from the bottom of the device before use. Pull the side arms of the device to fit your phone, attach the device to the back of the phone, and keep it as close as possible to your phone.*
2. Connect the adapter to the device through the type-C port. Make sure the output power of the adapter is 5V=2A or higher.
3. Switch on the device.
 - Indicator is on: the device is working.
 - Indicator is off: the device is closed.

*When the device is working, the temperature of the device decreases. Then the warm and humid air will condense into water droplets and attach to the surface of the device. This is normal.

*Please disconnect the adapter when you stop using this device.

Specifications

Product Name: Black Shark FunCooler 3

Model: BR32

Power port: Type-C

Compatibility: Phones of width between 69mm and 85mm.

Contents: Cooler x 1, User manual x 1

Declaration of Conformity



Hereby, [Blackshark Technologies (Nanchang) Co., Ltd.] declares that this equipment is in compliance with Electromagnetic Compatibility Directive 2014/30/EU.

The full text of the EU declaration of conformity is available at <https://global.blackshark.com>.

Manufacturer: Blackshark Technologies (Nanchang) Co., Ltd.

Address: Room 815-1, Floor 8, Block A, Huajiang Building, No. 1 Tsinghua Science Park, No. 299, Yupingdong Street, Nanchang Economic and Technological Development Zone, Nanchang City, Jiangxi Province

EU-Representative: Triskelion Technology SL

Address: Paseo de la Castellana 77, ed wework, 28046, Madrid, Spain

Contact Email: info.eu@blackshark.com

For more information

For warranty information, please visit <https://global.blackshark.com>.

Join Black Shark at global.blackshark.com

Like us on Facebook at facebook.com/BlackSharkGlobal

Follow us on Twitter at twitter.com/blckshrkr_global

Copyright © 2022 Blackshark Technologies (Nanchang) Co., Ltd. All Rights Reserved.

All illustrations in this guide are for your reference only. The actual device may vary. If there is any inconsistency between this guide and the description on the official website, please refer to the description on the official website. BLACK SHARK may update this guide without prior notice. Changes will be incorporated into new editions of this guide.